

2 / 4 Port KVM user manual

Introduction

Thank you for purchasing KVM switch. KVM switch can save your MONEY, TIME, SPACE, EQUIPMENT and POWER. Controlling multiple PCs from One Keyboard, Mouse and VGA Monitor. KVM switch is loaded with features such as hot-key, front panel push button and auto scan control. It has complete keyboard and mouse emulation for simultaneous PCs boot-up process.

Features

- 2/4 port KVM switch is compact size design, easy portable.
- Support Microsoft Intellimouse, Logitech Net Mouse, etc...
- Support DOS, Win3.X, Win95/98/98SE/2000/ME/XP, WinNT, Netware, Unix, Linux
- Hot Plug - Add or Remove Connected PCs for Maintenance Without Powering Down the KVM switch or PCs.
- Very High Video Quality - Up To 1920X1440, Bandwidth: 200MHz
- No Software Required - easy PC selection via Push Buttons, Hot Keys
- Auto Scan Mode for monitoring PCs
- Keyboard status restored when switching PCs
- LED Display for easy status monitoring
- Buzzer sound for switching port confirmation.

Hardware Installation

Before installation, please make sure all of peripherals and computers have been turned off.

1. Connect the Keyboard, VGA, Mouse cables to the computer ports of KVM switch
2. Connect the Keyboard, VGA monitor, and Mouse to console port of KVM switch
3. After Powering on computers and finishing the boot-up process, you can start to go KVM switch.

Note:

* Please don't switch the PC port (i.e. Don't press the push button of KVM switch or run hot key) during the computers are under boot-up process.

* If power off the first PC with port 1 (PC1), then power on the second PC with port 2 (PC2), please select the PC2 port with the push button of KVM Switch at first.(Only for **2-PORT** KVM Switch)

Package Contents

2 PORT KVM	4 PORT KVM
2 port KVM Switch User's manual	4 port KVM Switch User's manual

Technical Specifications

Functions	2 PORT KVM	4 PORT KVM
PC Port	2	4
Console Port	1	1
MAX PC Connections	2	4
LED	2	4
PC Port Connector (All Female Type)	PS/2 Keyboard mini-Din 6 pin PS/2 Mouse mini-Din 6 pin VGA HDDB 15pin	
Console port connector (All Female Type)	PS/2 Keyboard mini-Din 6 pin PS/2 Mouse mini-Din 6 pin VGA HDDB 15pin	
PC selection	Hot Key / Button	
On Screen Display Control	No	
Scan Intervals	8sec.	
Keyboard Emulation	PS2	
Mouse Emulation	PS2	
VGA Resolution	1920X1440	
Bandwidth	200MHz	
Daisy Chain and Levels	NO	
Housing	Plastic	Plastic
Size	Mini Desktop	Desktop
Weight (g)	140g	300g
Dimension (mm)	110(L) X 74(W) X 29(H)	190(L) X 74(W) X 29(H)

Product Details

2 PORT KVM

<Diagram>



4 PORT KVM

<Diagram>



System Requirements Specifications

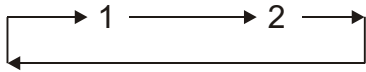
Functions	2 PORT KVM	4 PORT KVM
Console side	One VGA Monitor One PS/2 Keyboard One PS/2 Mouse	One VGA Monitor One PS/2 Keyboard One PS/2 Mouse
Computer Side	Two HDB 15 pin male to male VGA cables Two PS/2 cable male to male for Keyboard Two PS/2 cable male to male for Mouse	Four HDB 15 pin male to male VGA cables Four PS/2 cable male to male for Keyboard Four PS/2 cable male to male for

Usage

The push Button:

Pressing the button cyclically through all the ports.

2 PORT KVM



Normally, there is one LED is always lit (i.e. the console is connected to this PC port) for one PC port and the other PC port's LED is off, when you power on KVM switch.

When you select one of two PCs and it is shut down, the selected port LED flashed.

4 PORT KVM



When you select one of four PCs and it is powered on, the selected port LED is lit.

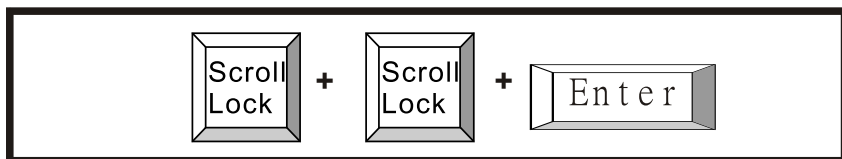
When you select one of four PCs and it is shut down or disconnected a PC, the selected port LED flashed.

Keyboard Hot Key Commands:

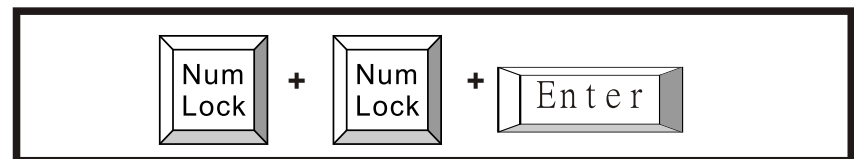
You can also conveniently command KVM to switch ports through simple key sequences. To send commands to KVM, The **Scroll Lock** or **Num Lock** key must be pressed twice within 2 seconds than key in the enter.

Below are the different commands:

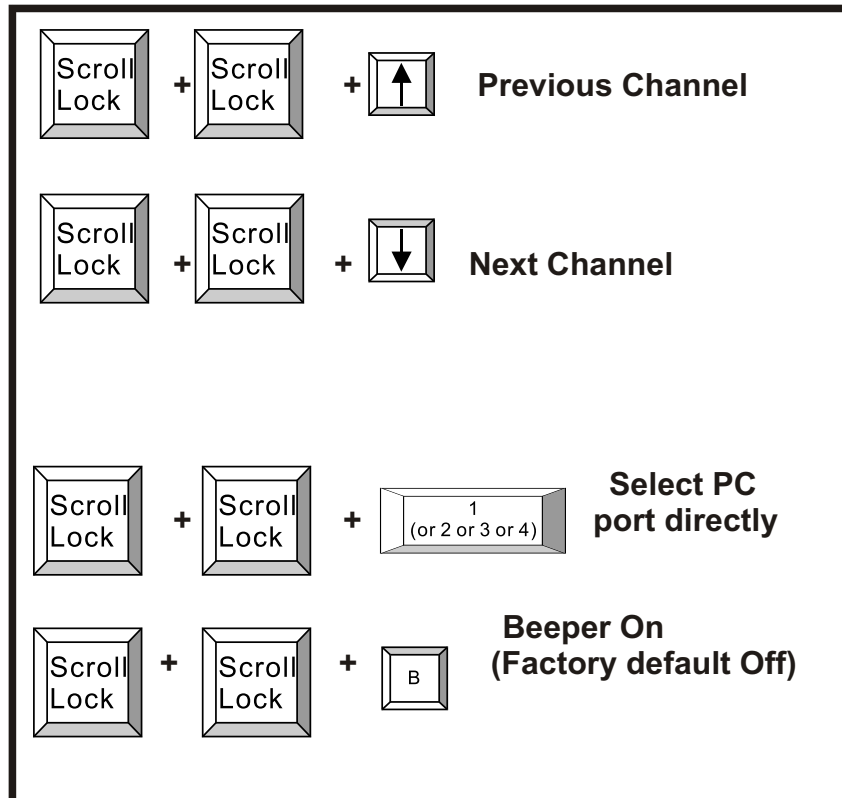
1.KVM3002/3004



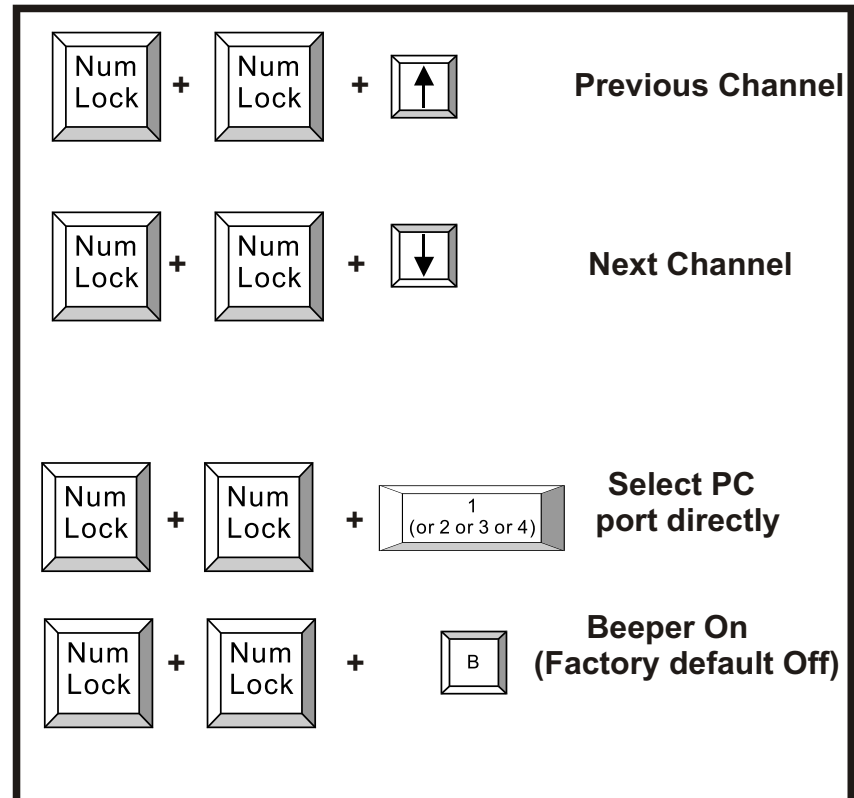
OR



1.KVM3004



OR



Troubleshooting

Ensure that all cables are well seated. Label all of cables with the number for each respective computer to avoid confusion.

- KVM switch draws the power from keyboard port of computers. If the computer like laptop computer, notebook computer or the other computer cannot support enough power to KVM switch, please add a DC 5V~9V, 100mA~1A to the power jack. The power jack polarity is center positive.
- Don't press any keys on the keyboard while the selected computer is booting up. Otherwise, it might cause the keyboard error or keyboard is not detected at PC side.
- The computer boot up fine, but keyboard doesn't work
Make sure the keyboard works when directly plugged into the computer.
Try a different keyboard, but use only 101, 102 or 104-key keyboard.
- The Mouse is not detected during PC boot up.
Make sure the mouse works when directly plugged into the computer.
Make sure the mouse is a true PS/2 mouse. A combo mouse will work just as long as it is set for PS/2 mode with the correct adapter.
Try a different mouse.
- Avoiding moving the mouse or pressing the mouse buttons when switching the port.