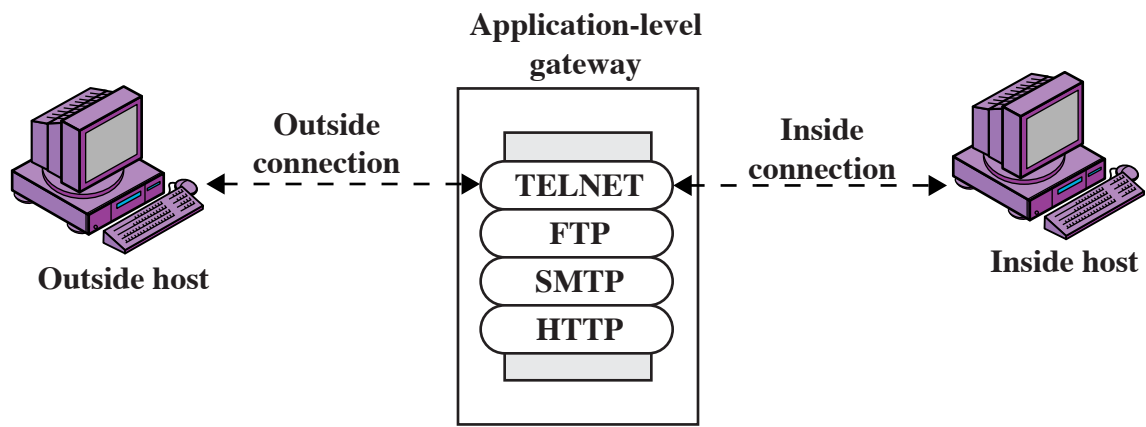
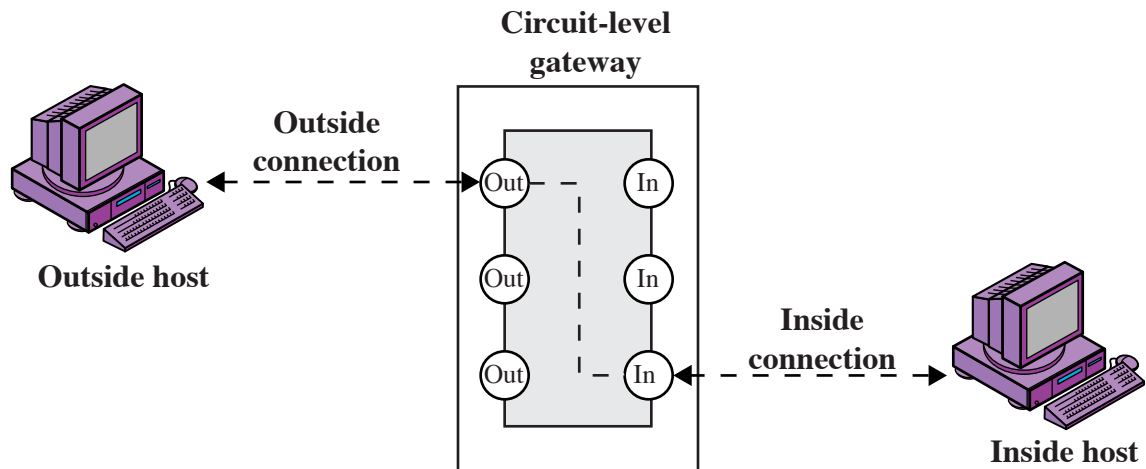


(a) Packet-filtering router



(b) Application-level gateway



(c) Circuit-level gateway

Figure 20.1 Firewall Types